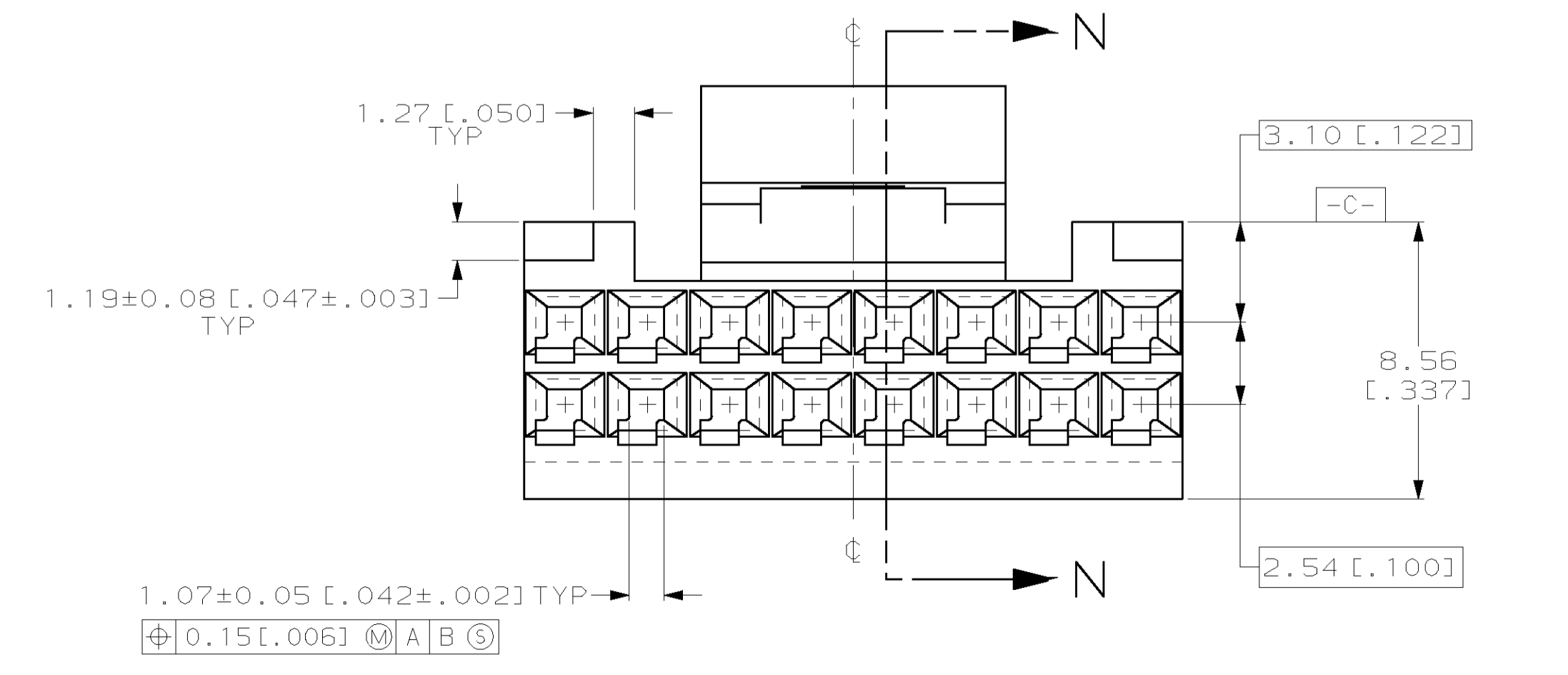
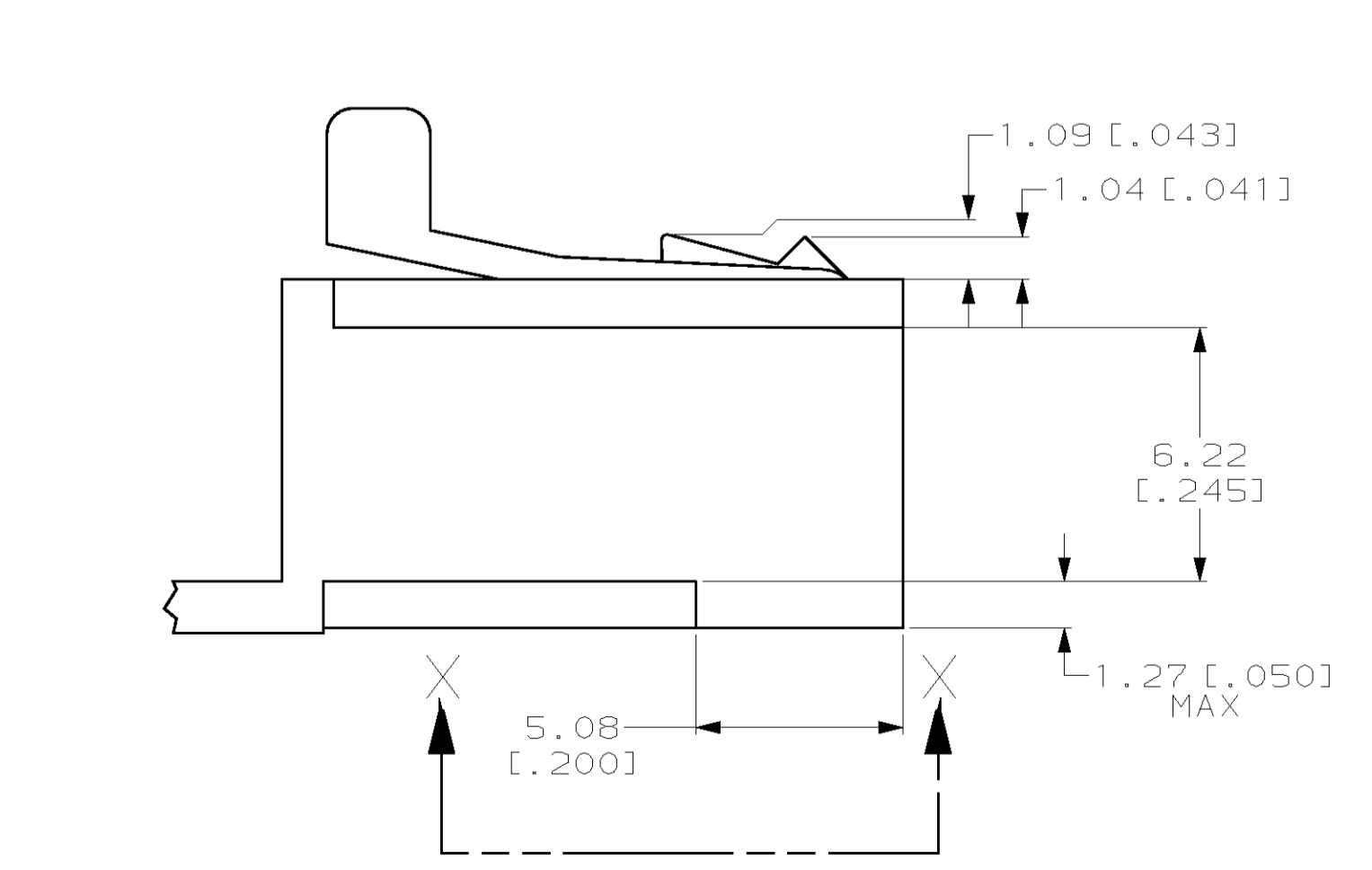
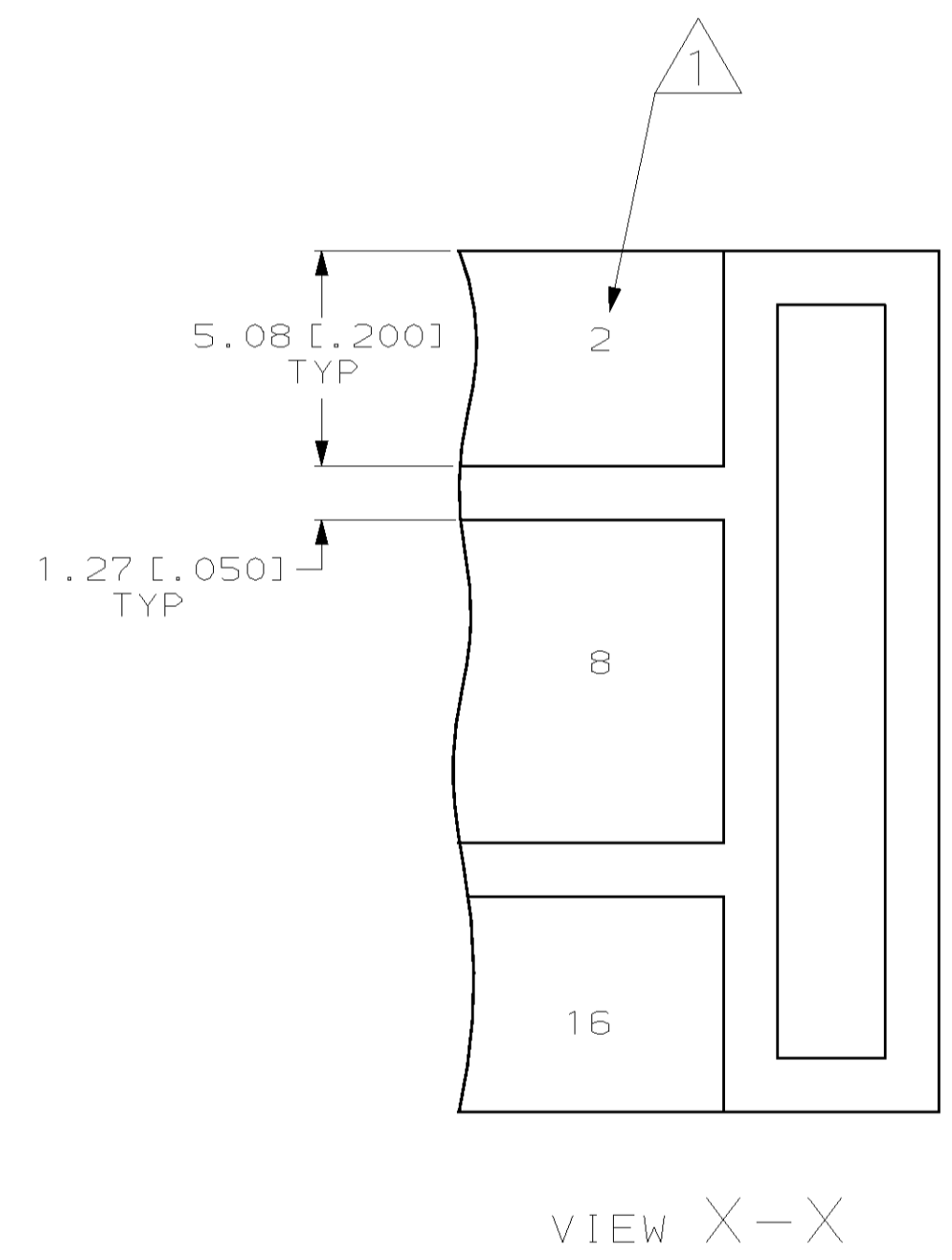
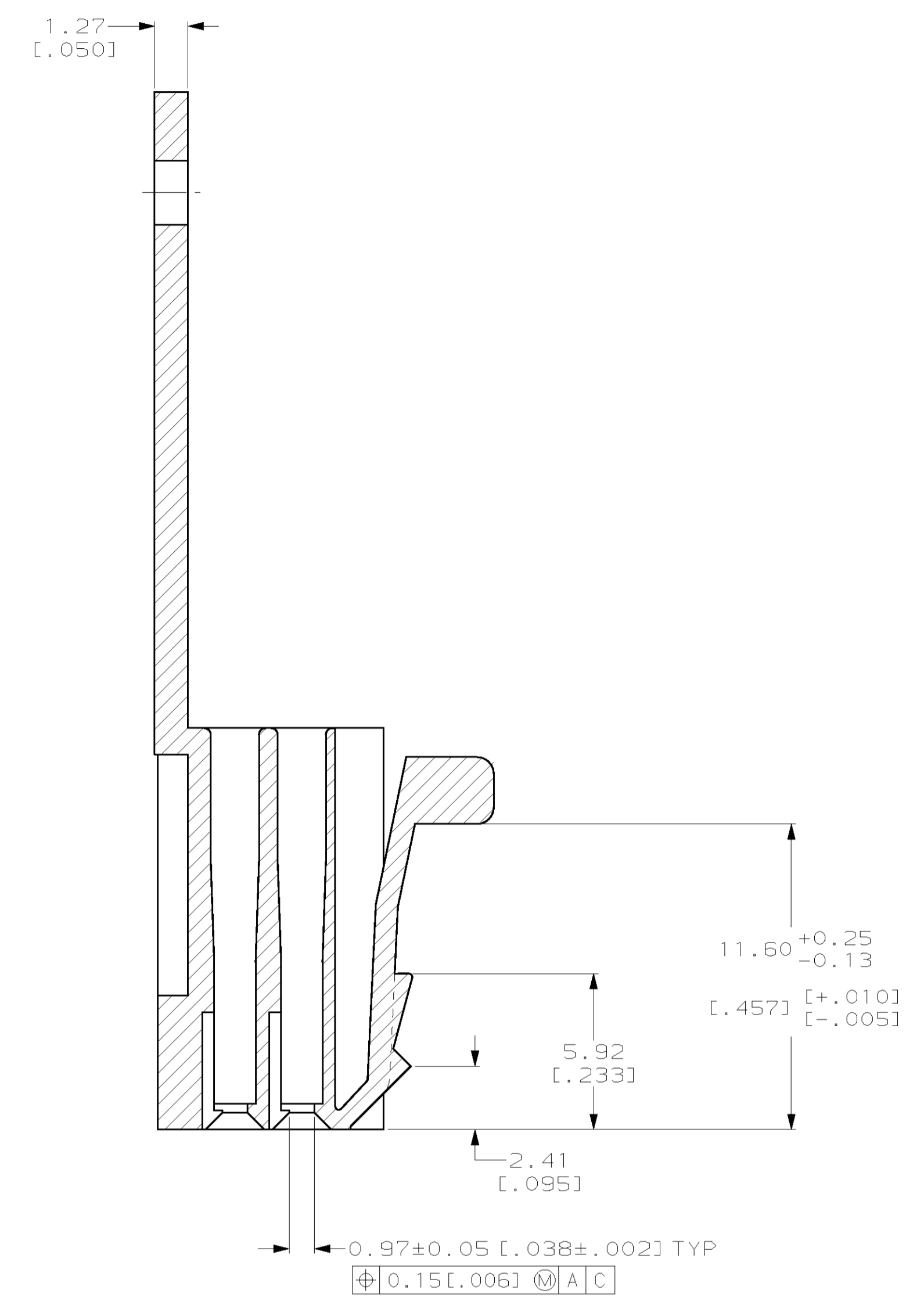
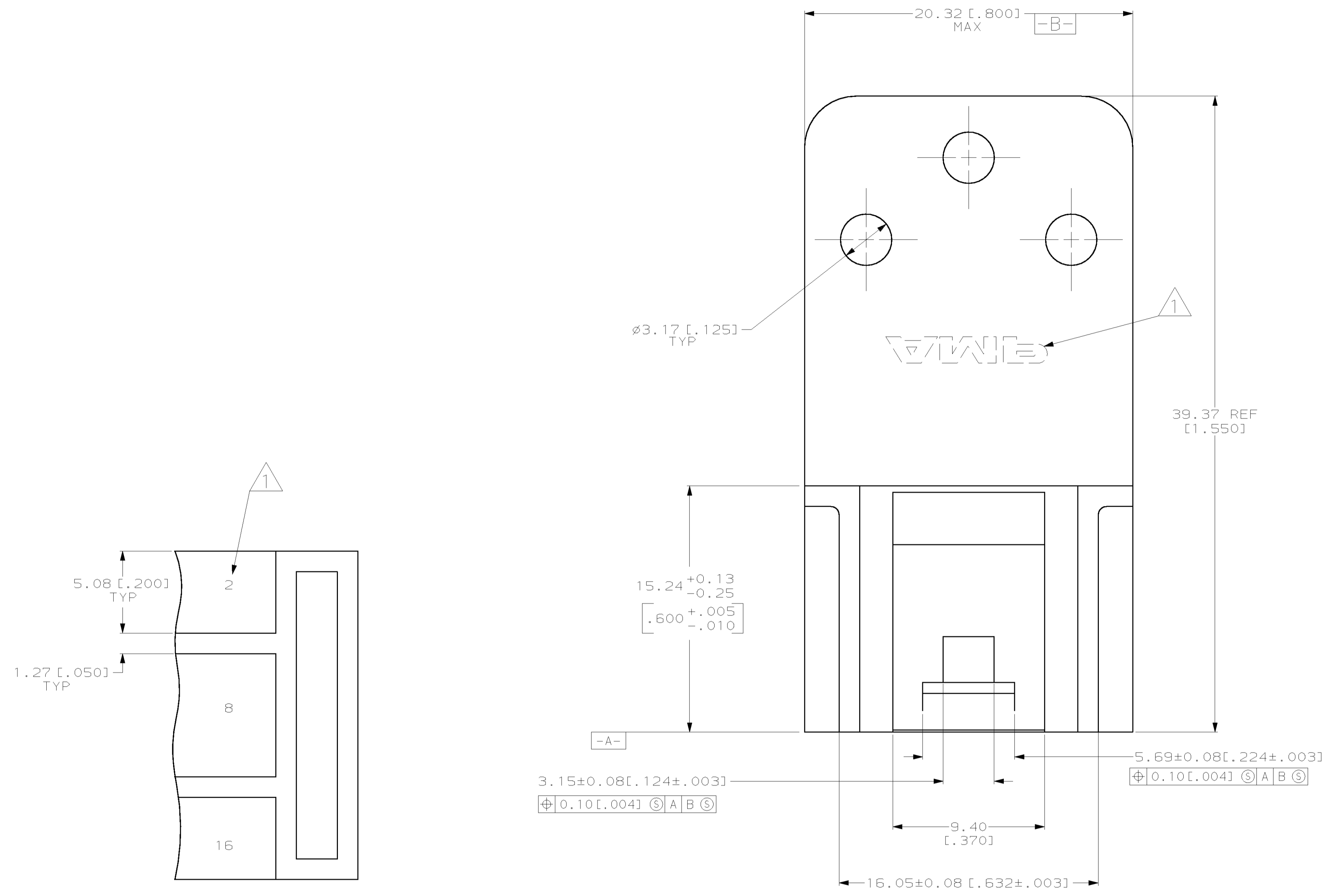


REVISONS		DATE	BY	APP'D
AD	39	31JUL03	RB	DS
B	REV PER 063C-0040-03			



1 CAVITY ID'S AND AMP TRADEMARKS MOLDED IN AT LOCATIONS SHOWN.

104917-1
 ASSEMBLY
 PART
 NUMBER

<small>THIS DRAWING IS UNPUBLISHED. RELEASED FOR PUBLICATION. IF IT IS SUBJECT TO CHANGE AND THE CONTROLLING ENGINEERING ORGANIZATION SHOULD BE CONTACTED FOR THE LATEST REVISION.</small>		E. BRANDBERG 10-13-94 S. SHUEY 10-13-94 S. SHUEY 10-13-94	AMP Incorporated Harrisburg, PA 17105-3608
DIMENSIONS: mm [INCHES]	TOLERANCES UNLESS OTHERWISE SPECIFIED: 0 PLC ±.010 1 PLC ±.010 2 PLC ±.010 3 PLC ±.010 4 PLC ±.010 ANGLES ±.010	HOUSING, MOD IV, DBL ROW, 2.54[.100] CL X 2.54[.100] CL, WITH POLARIZATION & LATCH	SIZE: A1 CASE CODE: 00779 DRAWING NO: 104917
MATERIAL: FLAME RETARDANT THERMOPLASTIC COLOR: BLACK	FINISH:	WEIGHT:	SCALE: 6:1 SHEET: 1 OF 1 REV: B